

120VAC: RECOMMEND 30A FUSE, 10 AWG WIRE INPUT
RECOMMEND L5-30P CONNECTOR ON CONTAINER

230VAC: RECOMMEND 20A SLOW BLOW FUSE, 12 AWG WIRE INPUT
RECOMMEND L6-20P CONNECTOR ON CONTAINER

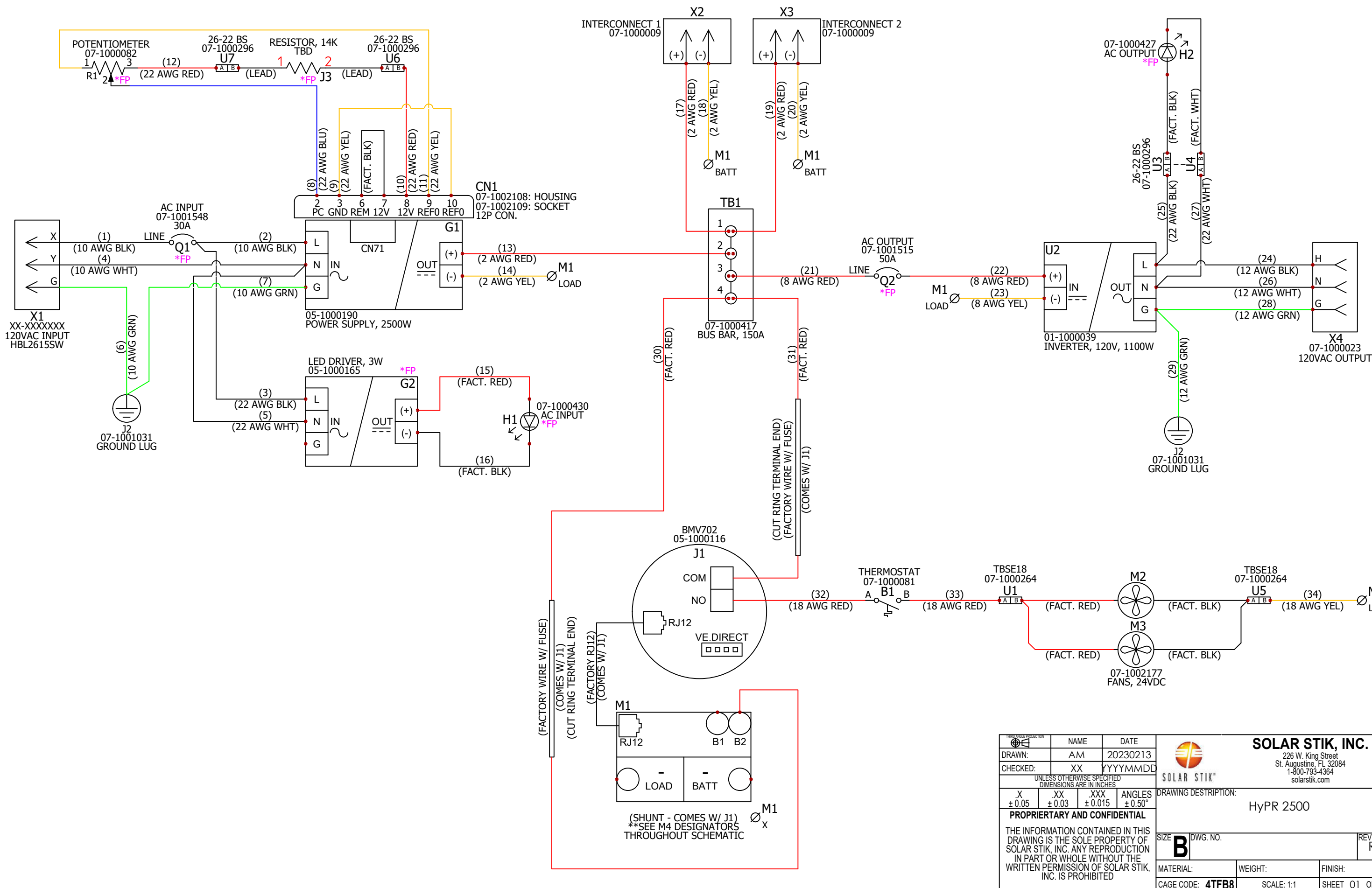
		SOLAR STIK, INC. 13 North Leonardi St St. Augustine, FL 32084 1-800-793-4364 solarstik.com	
DRAWN: A.M CHECKED: XX	NAME: A.M DATE: 20230213	DRAWING DESCRIPTION: SINGLE LINE DIAGRAM	
UNLESS OTHERWISE SPECIFIED DIMENSIONS ARE IN INCHES		SIZE: B	DWG. NO.: REV:
PROPRIETARY AND CONFIDENTIAL THE INFORMATION CONTAINED IN THIS DRAWING IS THE SOLE PROPERTY OF SOLAR STIK, INC. ANY REPRODUCTION IN PART OR WHOLE WITHOUT THE WRITTEN PERMISSION OF SOLAR STIK, INC. IS PROHIBITED		MATERIAL: CAGE CODE: 4TFB8	WEIGHT: FINISH: SCALE: 1:1 SHEET 00 OF 04

4

3

2

1



B

B

A

A

4

3

2

1

DRAWN: AM		DATE: 20230213		SOLAR STIK, INC. 226 W. King Street St. Augustine, FL 32084 1-800-793-4364 solarstik.com
CHECKED: XX		DATE: YYYYMMDD		
UNLESS OTHERWISE SPECIFIED DIMENSIONS ARE IN INCHES				DRAWING DESCRIPTION: HyPR 2500
X ± 0.05	.XX ± 0.03	.XXX ± 0.015	ANGLES ± 0.50°	
PROPRIETARY AND CONFIDENTIAL THE INFORMATION CONTAINED IN THIS DRAWING IS THE SOLE PROPERTY OF SOLAR STIK, INC. ANY REPRODUCTION IN PART OR WHOLE WITHOUT THE WRITTEN PERMISSION OF SOLAR STIK, INC. IS PROHIBITED				SIZE B DWG. NO. _____ REV _____
MATERIAL:		WEIGHT:	FINISH:	
CAGE CODE: 4TFB8		SCALE: 1:1	SHEET 01 OF 04	

4

3

2

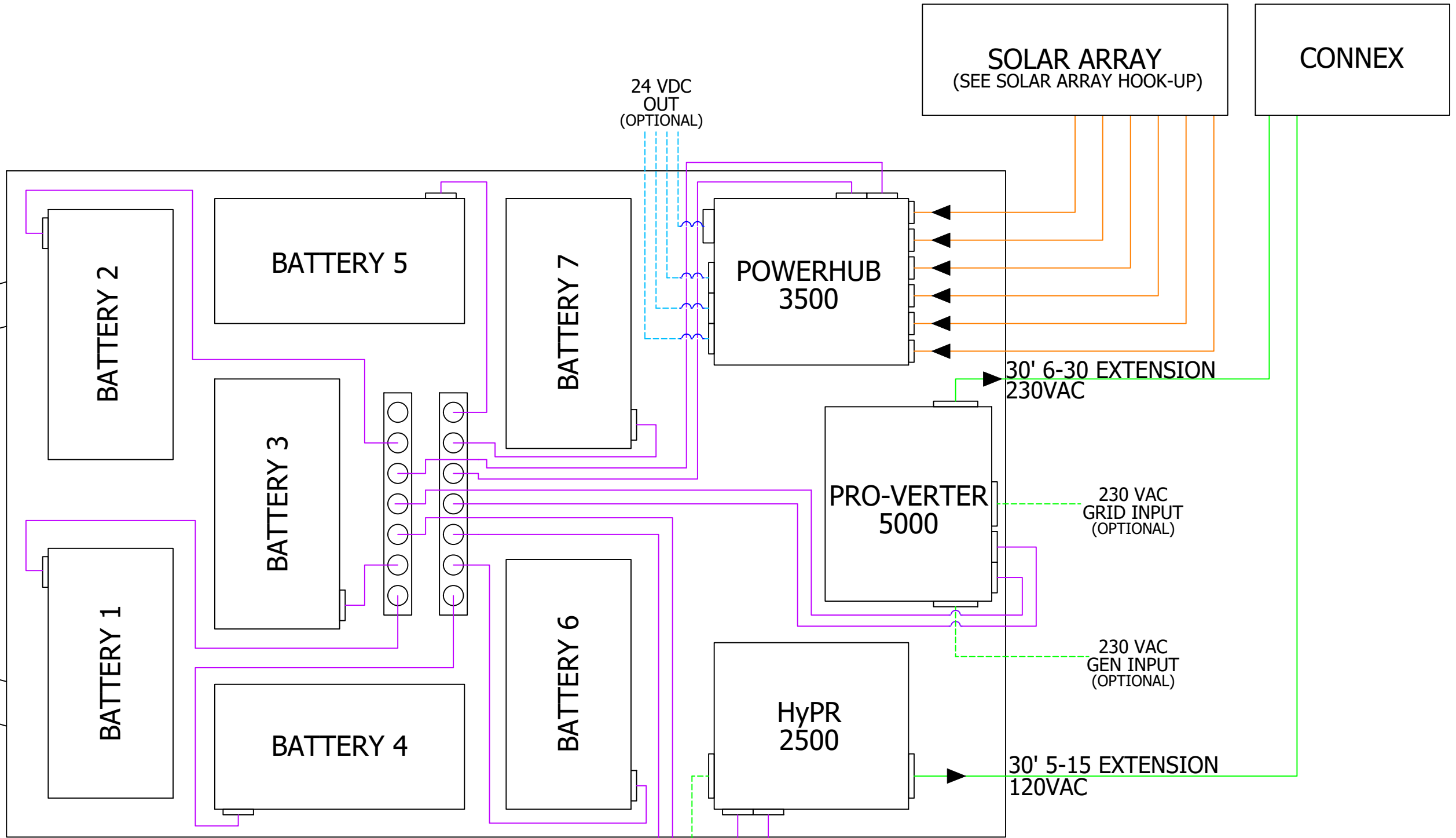
1

B

B

A

A



- SOLAR CIRCUIT
- INTERCONNECT CIRCUIT
- AC CIRCUIT
- DC LOAD CIRCUIT

120 VAC INPUT (OPTIONAL)

<small>THIRD ANGLE PROJECTION</small> 	NAME	DATE
DRAWN:	A.M	20230213
CHECKED:	XX	YYYYMMDD

UNLESS OTHERWISE SPECIFIED DIMENSIONS ARE IN INCHES			
X ± 0.05	XX ± 0.03	XXX ± 0.015	ANGLES ± 0.50°

PROPRIETARY AND CONFIDENTIAL

THE INFORMATION CONTAINED IN THIS DRAWING IS THE SOLE PROPERTY OF SOLAR STIK, INC. ANY REPRODUCTION IN PART OR WHOLE WITHOUT THE WRITTEN PERMISSION OF SOLAR STIK, INC. IS PROHIBITED

SOLAR STIK, INC.
 13 North Leonardi St.
 St. Augustine, FL 32084
 1-800-793-4364
 solarstik.com

DRAWING DESCRIPTION:
 Trailer Cable Hook-Up

SIZE B	DWG. NO.	REV
MATERIAL:	WEIGHT:	FINISH:
CAGE CODE: 4TFB8	SCALE:	SHEET 02 OF 04

4

3

2

1

TRAILER FRONT

BATTERY 2

BATTERY 5

BATTERY 7

POWERHUB 3500

BATTERY 3

BATTERY 1

BATTERY 4

BATTERY 6

PRO-VERTER 5000

HyPR 2500

SOLAR ARRAY (SEE SOLAR ARRAY HOOK-UP)

CONNEX

24 VDC OUT (OPTIONAL)

30' 6-30 EXTENSION 230VAC

230 VAC GRID INPUT (OPTIONAL)

230 VAC GEN INPUT (OPTIONAL)

30' 5-15 EXTENSION 120VAC

B

B

A

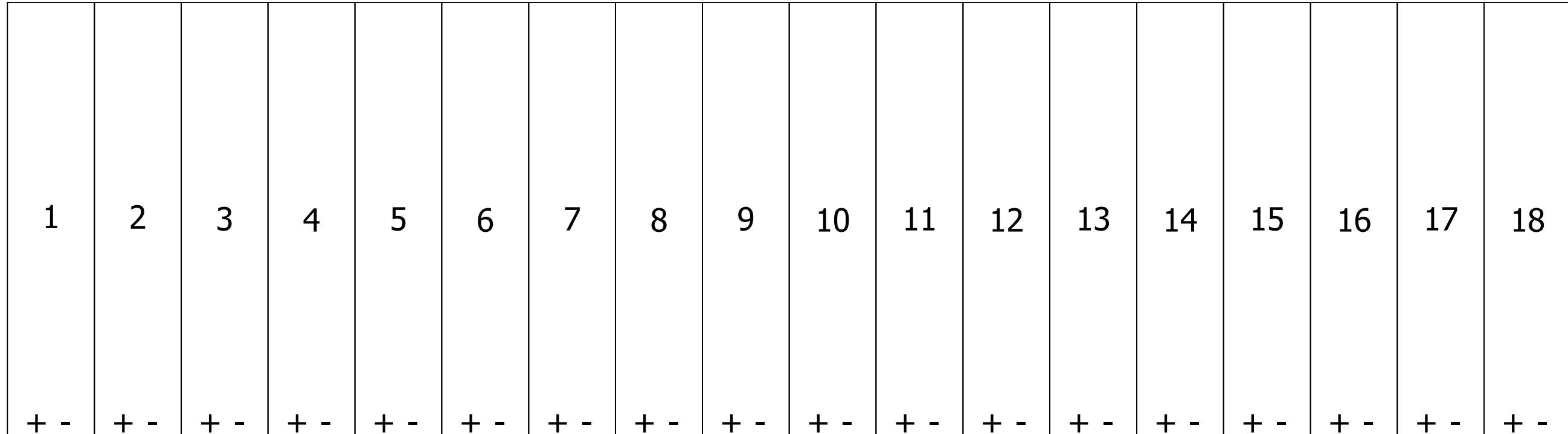
A

4

3

2

1



- PANEL LEADS (+ -)
- SOLAR CIRCUIT
- INTERCONNECT CIRCUIT
- AC CIRCUIT

**POWERHUB
3500
(TRAILER)**

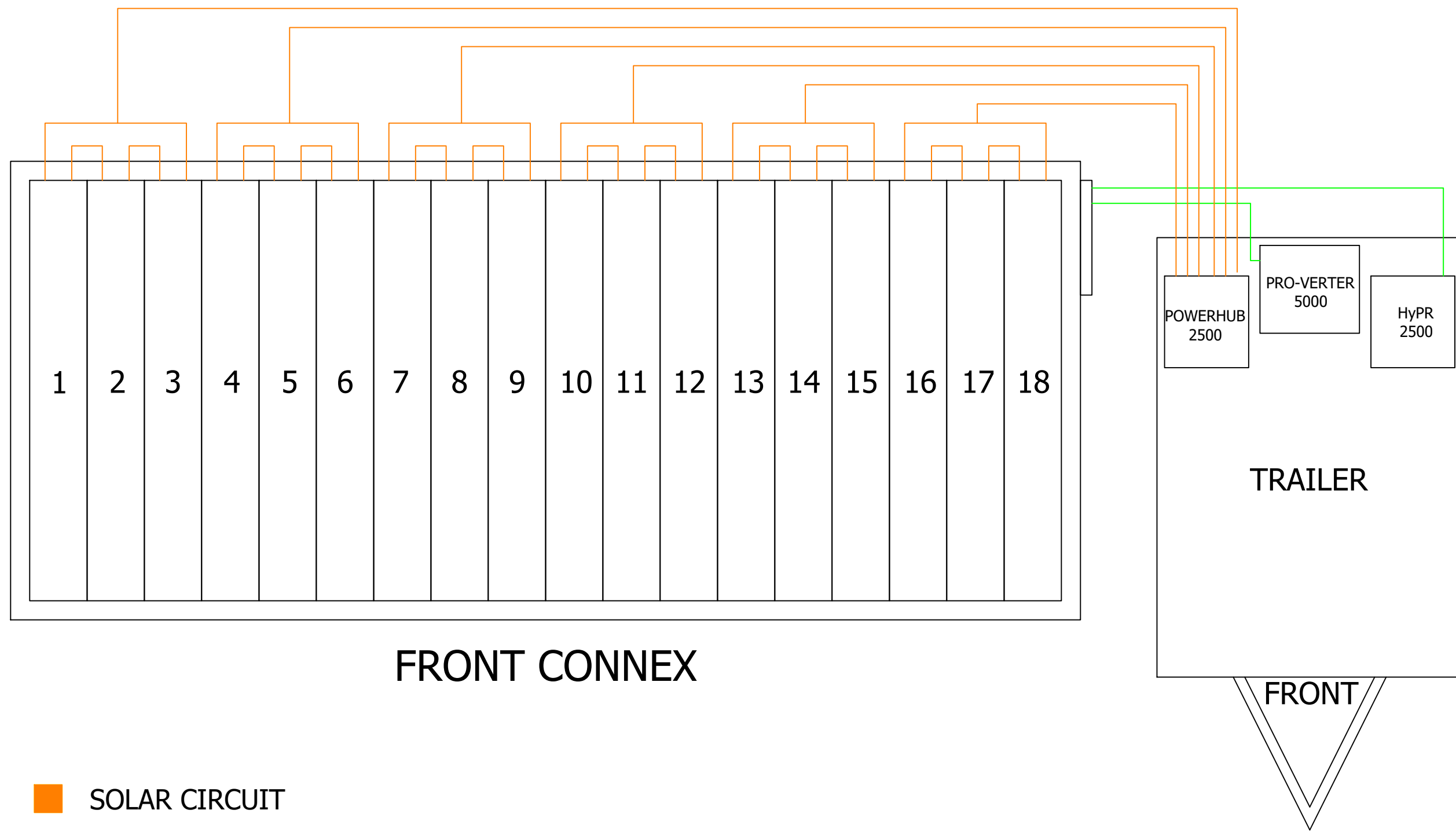
<small>THIRD ANGLE PROJECTION</small>	NAME	DATE	 SOLAR STIK, INC. <small>13 North Leonardi St St. Augustine, FL 32084 1-800-793-4364 solarstik.com</small>
DRAWN: A.M	20230213		
CHECKED: XX	YYYYMMDD		DRAWING DESCRIPTION: Solar Array Hook-Up
<small>UNLESS OTHERWISE SPECIFIED DIMENSIONS ARE IN INCHES</small>			
X ± 0.05	.XX ± 0.03	.XXX ± 0.015	ANGLES ± 0.50°
PROPRIETARY AND CONFIDENTIAL			
<small>THE INFORMATION CONTAINED IN THIS DRAWING IS THE SOLE PROPERTY OF SOLAR STIK, INC. ANY REPRODUCTION IN PART OR WHOLE WITHOUT THE WRITTEN PERMISSION OF SOLAR STIK, INC. IS PROHIBITED</small>			
SIZE B	DWG. NO.	REV	REV
MATERIAL:	WEIGHT:	FINISH:	
CAGE CODE: 4TFB8	SCALE:	SHEET 03 OF 04	

4

3

2

1



- SOLAR CIRCUIT
- INTERCONNECT CIRCUIT
- AC CIRCUIT
- DC LOAD CIRCUIT

		NAME	DATE	SOLAR STIK, INC. 13 North Leonardi St St. Augustine, FL 32084 1-800-793-4364 solarstik.com
DRAWN:	A.M	20230213		
CHECKED:	XX	YYYYMMDD		
<small>UNLESS OTHERWISE SPECIFIED DIMENSIONS ARE IN INCHES</small>				DRAWING DESCRIPTION: Trailer/Connex Layout
X ± 0.05	.XX ± 0.03	.XXX ± 0.015	ANGLES ± 0.50°	
PROPRIETARY AND CONFIDENTIAL				SIZE B DWG. NO. _____ REV _____
<small>THE INFORMATION CONTAINED IN THIS DRAWING IS THE SOLE PROPERTY OF SOLAR STIK, INC. ANY REPRODUCTION IN PART OR WHOLE WITHOUT THE WRITTEN PERMISSION OF SOLAR STIK, INC. IS PROHIBITED</small>				MATERIAL: _____ WEIGHT: _____ FINISH: _____
				CAGE CODE: 4TFB8 SCALE: _____ SHEET 04 OF 04